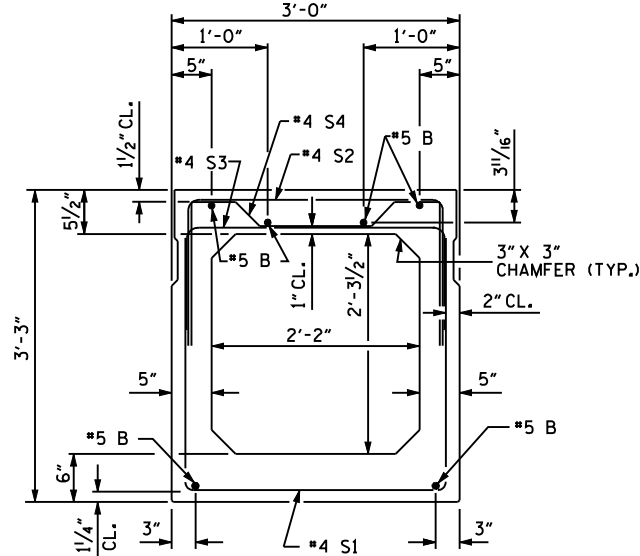


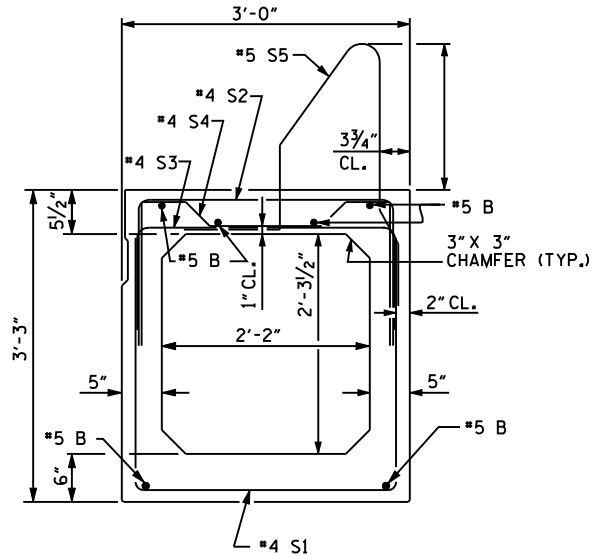
END ELEVATION

SHOWING PLACEMENT OF #5 & #4 "A" BARS AND LOCATION OF DOWEL HOLES. (INTERIOR BOX BEAM SECTION SHOWN-EXTERIOR SECTION SIMILAR EXCEPT SHEAR KEY LOCATION. STRAND LAYOUT NOT SHOWN.)



INTERIOR BOX BEAM SECTION

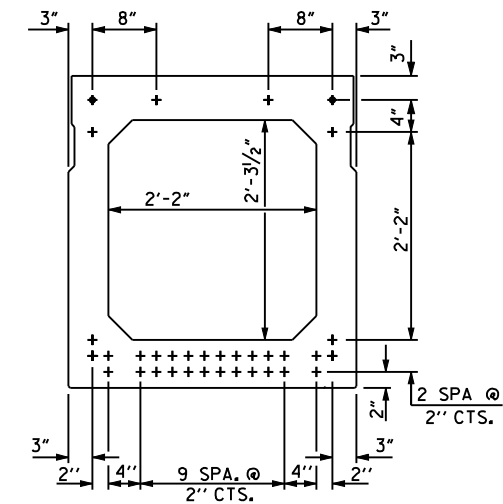
(STRAND LAYOUT NOT SHOWN)



EXTERIOR BOX BEAM SECTION

(STRAND LAYOUT NOT SHOWN)

0.6" Ø LOW RELAXATION STRAND LAYOUT



TYPICAL STRAND LOCATION

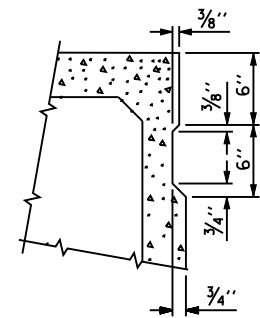
(... STRANDS REQUIRED)
(INTERIOR BOX BEAM SECTION SHOWN-EXTERIOR SECTION SIMILAR EXCEPT SHEAR KEY LOCATION)

DEBONDING LEGEND

- FULLY BONDED STRANDS

GRADE 270 STRANDS

	0.6" Ø L.R.
AREA (SQUARE INCHES)	0.217
ULTIMATE STRENGTH (LBS. PER STRAND)	58,600
APPLIED PRESTRESS (LBS. PER STRAND)	43,950



CHAMFER DETAIL
SHOWING 6" VOID CHAMFER

SHEAR KEY DETAIL

NOTE: OMIT SHEAR KEY ON OUTSIDE FACE OF EXTERIOR BOX BEAMS.

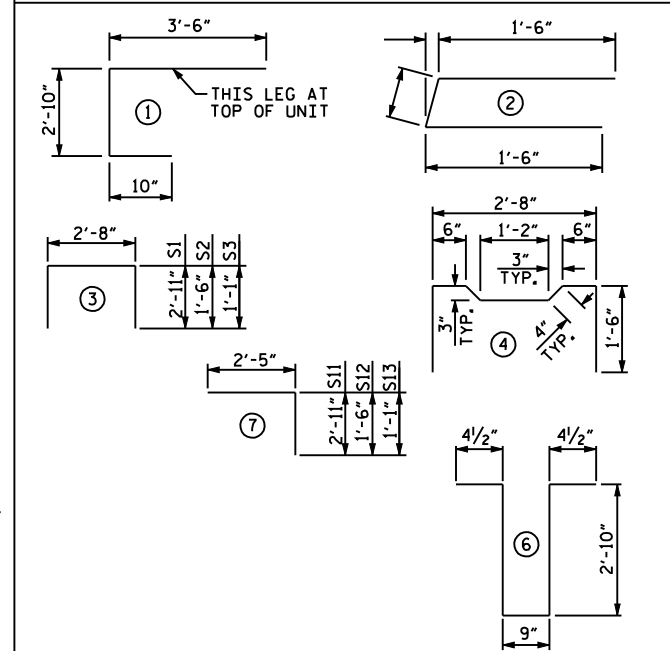
END VIEW

(SHOWING #4 "S" BARS IN END OF BEAM)

DETAIL "B"

EXTERIOR UNIT SHOWN, INTERIOR UNIT SIMILAR EXCEPT OMIT #5 S5 BARS. "B" BARS AND "A" BARS NOT SHOWN.

BAR TYPES



ALL BAR DIMENSIONS ARE OUT TO OUT

BILL OF MATERIAL FOR ONE BOX BEAM SECTION

BAR NUMBER	SIZE	TYPE	EXTERIOR UNIT		INTERIOR UNIT	
			LENGTH	WEIGHT	LENGTH	WEIGHT
A1	#5	1	7'-2"	75	7'-2"	75
A2	#4	2				
B	#5	STR				
K1	#4	6	7'-2"		7'-2"	
K2	#4	STR				
S1	#4	3	8'-6"		8'-6"	
S2	#4	3	5'-8"		5'-8"	
S3	#4	3	4'-10"		4'-10"	
S4	#4	4	5'-10"		5'-10"	
S11	#4	7	5'-4"		5'-4"	
S12	#4	7	3'-11"		3'-11"	
S13	#4	7	3'-6"		3'-6"	
* S5	#5	5			--	--
REINFORCING STEEL				LBS.		LBS.
* EPOXY COATED REINF. STEEL				LBS.		LBS.
--- P.S.I. CONCRETE				CU. YDS.		CU. YDS.
0.6" Ø L.R. STRANDS			No.		No.	

PROJECT NO. _____

_____ COUNTY

STATION: _____

SHEET _ OF _

STATE OF NORTH CAROLINA
DEPARTMENT OF TRANSPORTATION
RALEIGH
STANDARD
3'-0" X 3'-3"
PRESTRESSED CONCRETE
BOX BEAM UNIT
SPAN " "

REVISIONS						SHEET NO.
NO.	BYs	DATEs	NO.	BYs	DATEs	
1			3			TOTAL SHEETS
2			4			

STD. NO. PCBB6

ASSEMBLED BY :	DATE :
CHECKED BY :	DATE :
DRAWN BY : TLA 5/05	ADDED 7/11/05
CHECKED BY : GM 6/05	REV. 5/1/06 TLA/GM

EXTERIOR UNIT SHOWN, INTERIOR UNIT SIMILAR EXCEPT OMIT #5 S5 BARS. FOR LOCATION OF DIAPHRAGMS, SEE PLAN OF SPANS. FOR REINFORCING STEEL IN DIAPHRAGMS, SEE DIAPHRAGM DETAILS.